

Rainfinity

Overhead shower 250 1jet with wall connector

Surfaces: **Matt White** Article Number: **26226700**



Description

product features

- consists of: overhead shower, wall connector
- shower head size: 250 mm
- spray type: PowderRain
- projection 273 mm
- middle spray disc: 151 mm
- material spray disc: aluminium
- spray disc surface: graphite
- shower head vertically inclinable by 10-30°
- maximum flow rate at 3 bar: 19 l/min
- flow rate PowderRain spray (at 3 bar): 19 l/min
- minimum flow pressure: 1,4 bar
- overhead shower removable for cleaning
- installation: wall
- connection thread G ½
- connection dimension: DN15
- not suitable for continuous flow water heaters

Technology



Design awards

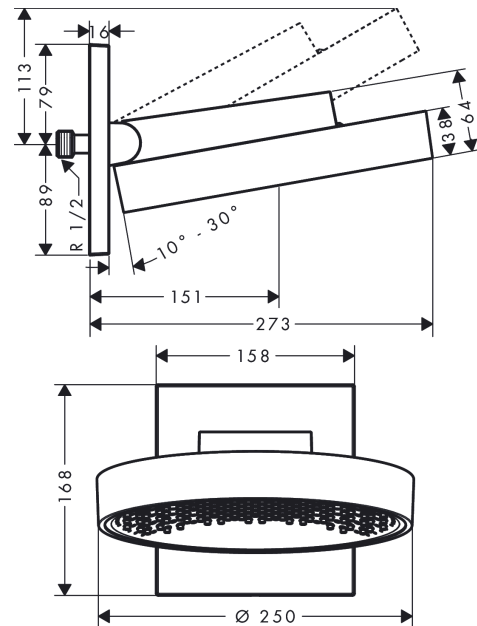


reddot award 2019
best of the best

Product image



Scale drawing



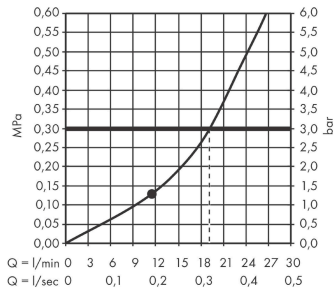
Rainfinity

Overhead shower 250 1jet with wall connector

Surfaces: **Matt White** Article Number: **26226700**



Flowchart

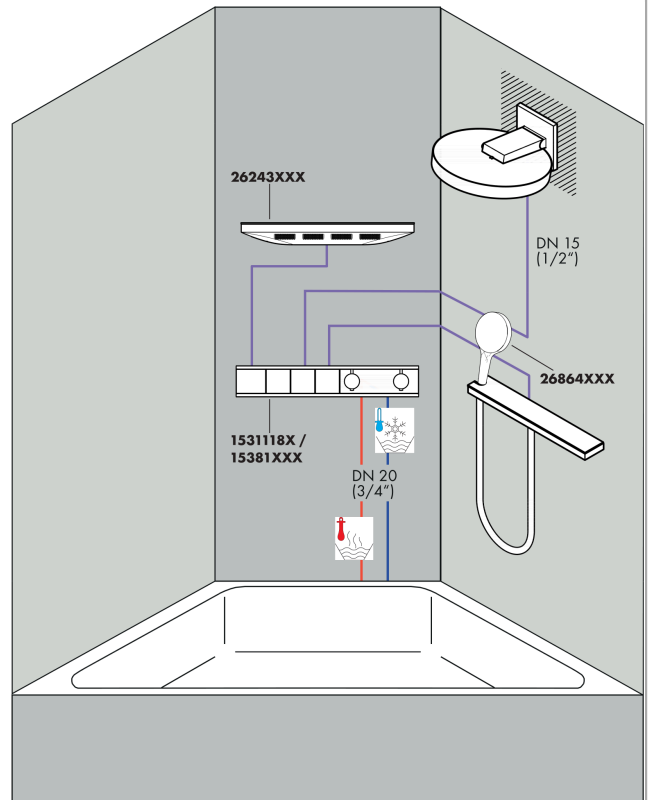
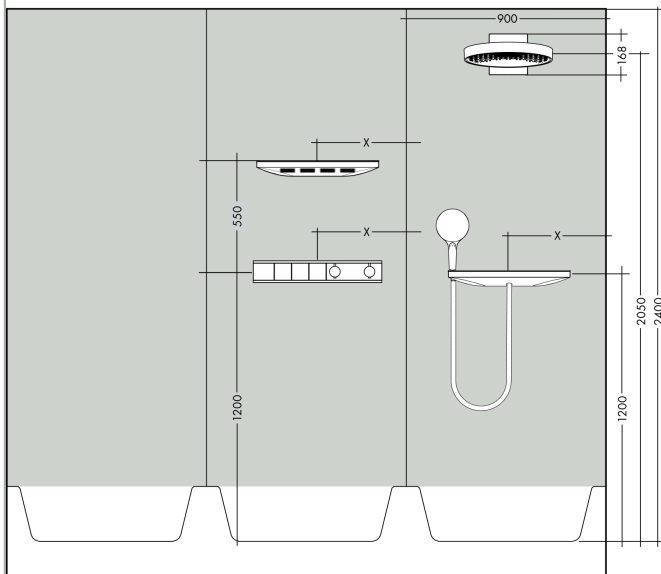


The consumption was measured in combination with the appropriate fittings (thermostat/mixer/in-wall valve) to reflect actual application in practice.

Rainfinity
Overhead shower 250 1jet with wall connector
 Surfaces: **Matt White** Article Number: **26226700**



Installation examples

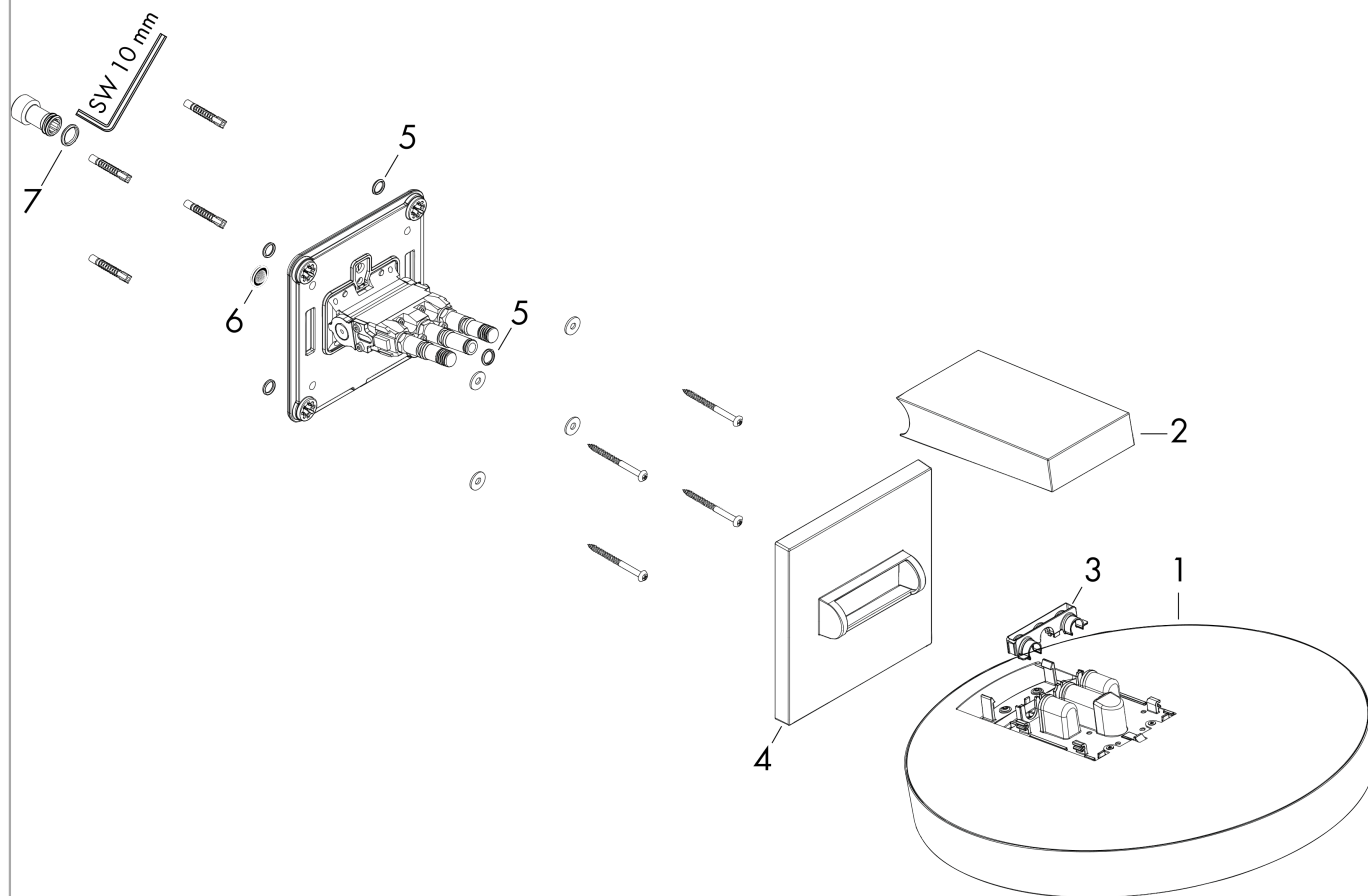


Rainfinity
Overhead shower 250 1jet with wall connector
 Surfaces: **Matt White** Article Number: **26226700**



Exploded Drawing

Year of production: >07/19



Rainfinity

Overhead shower 250 1jet with wall connector

Surfaces: **Matt White** Article Number: **26226700**



Spare part list

Year of production: >07/19

Pos.	Description	Article Number	Price	PU
1	head shower	93664700	-	1
2	cover	93524700	-	1
3	cramp	93525000	-	1
4	escutcheon	93523700	-	1
5	O-ring 9x2	98119000	-	1
6	filter packing	93774000	-	1
7	O-ring 13x2,5	98428000	-	1